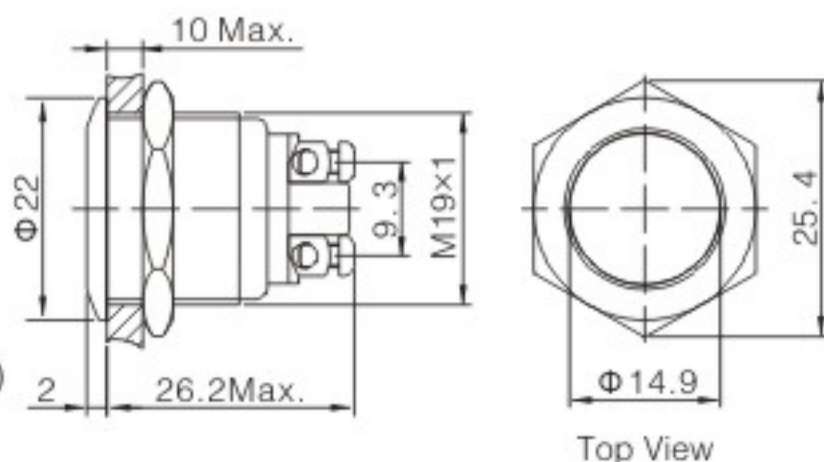


- ◎ Φ 19mm Diameter
- ◎ Switch Rating: 2A/36VDC
- ◎ Contact Configuration: 1NO
- ◎ Operation Type: Momentary
- ◎ The Front Shape: Flat round
- ◎ The Crust Material: (◎): Stainless steel(S)/
Nickel plated Brass(N)/Black anodized aluminium alloy(A)
- ◎ IP Degree: IP65,IK09



GQ19F-10/◎		Material	Button	Stainless steel		
			Terminal Type	Screw Terminal	Operation Pressure	About 4N
			Switching	x(double-break slow-motion contact)	Operation Travel	About 2.5mm
Panel Thickness	1 ~ 6mm					
Torque	0.8Nm					
Mechanical Life	1,000,000 cycles					
Electrical Life	200,000 cycles	RoHS		Made to order		